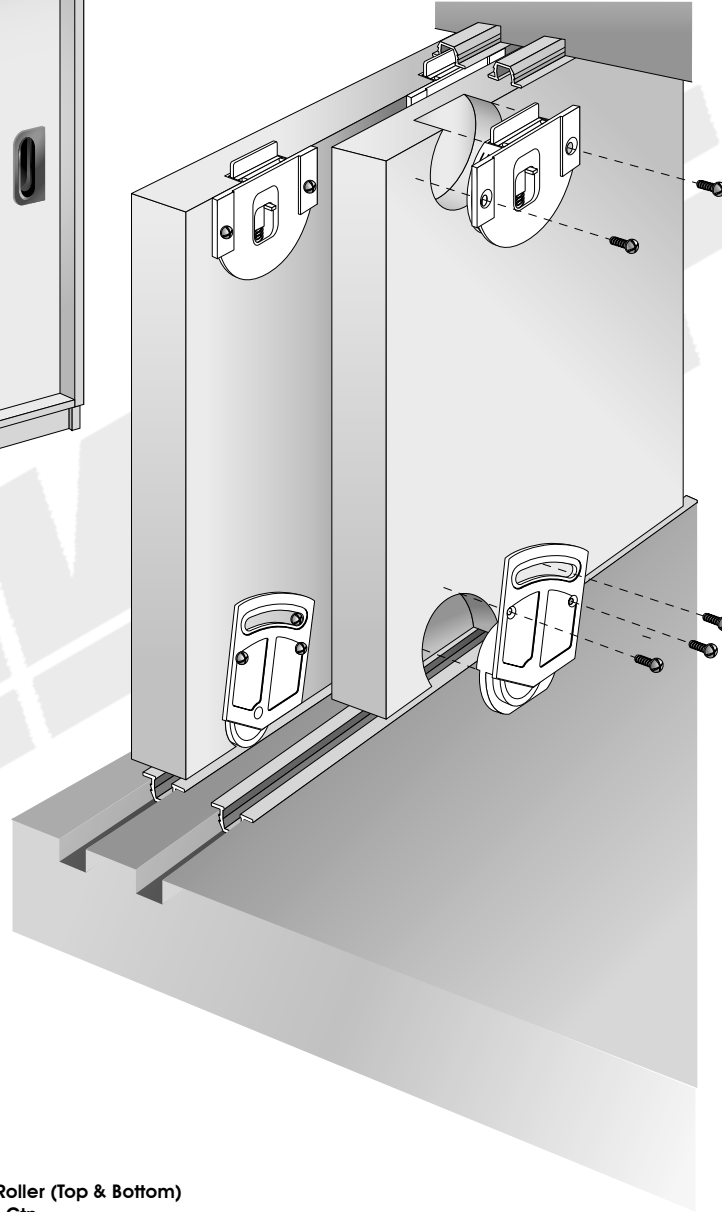


SW938 ROLLER AND PROFILE



installation guide
(View from inside cabinet)



Bottom Roller

Top Roller

Item Code : SW 938 Sliding Rail
Size : 8.4 mm x 3.6 m
Packing : 200 pcs / Ctn

Item Code : SW 938 Roller (Top & Bottom)
Packing : 250sets/ Ctn

