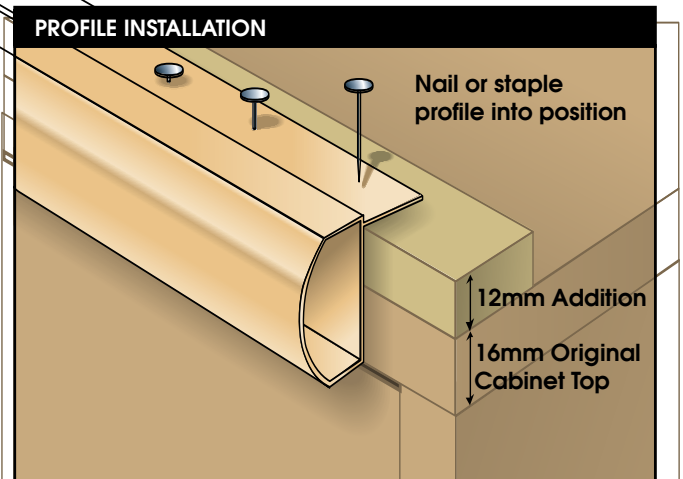
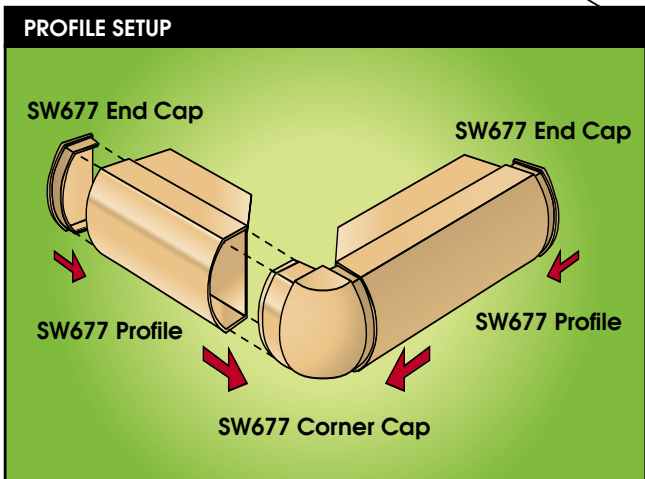
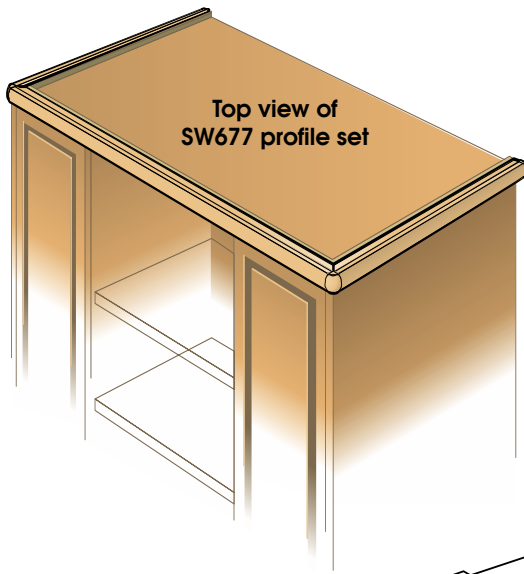
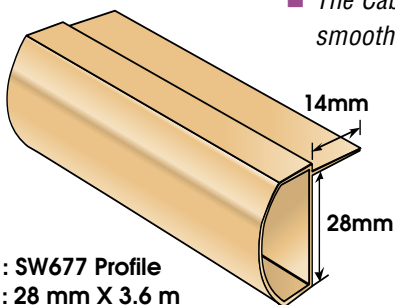


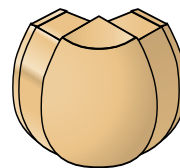
# SW677 CABINET TOP PROFILE



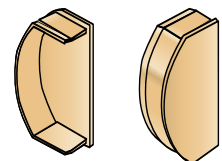
■ The Cabinet Top Profile provides a superior edge finish for your cabinet, giving it a smooth and rounded appearance on the top.



Item Code : SW677 Profile  
 Size : 28 mm X 3.6 m  
 Packing : 50 pcs/ Ctn



Item Code : SW677 Corner Cap  
 Packing : 1000 pcs/ Ctn



Item Code : SW677 End Cap  
 Packing : 1000 pcs/ Ctn